

DACIA

# DACIA SANDERO STEPWAY



4th January 2024



1

**EXPLORE  
YOUR SANDERO  
STEPWAY**

**DISCOVER**



2

**YOUR SANDERO  
STEPWAY FOR  
DAILY USE**

**DISCOVER**



3

**EQUIPMENT  
AND TECHNICAL  
CHARACTERISTICS**

**DISCOVER**



4

**THE DACIA SPIRIT:  
GOOD THINKING**

**DISCOVER**





# JUST ESSENTIAL





# TAKING A BREAK EVERY DAY DACIA WITH SANDERO STEPWAY

Dacia Sandero Stepway reaffirms its crossover style: take escapism to the next level thanks to the new Extreme finish, which gives the vehicle an even stronger off-road look.





# A SENSE OF ADVENTURE

A single glance and you are already itching to escape with Dacia Sandero Stepway. Its sculpted bonnet, bold front end, protective features and high ground clearance give it the dynamic and robust style of an authentic crossover. Its LED headlights, Y-shaped brand light and glossy black grille give it even more character.



Live the adventure thanks to its Extreme finish with an even more prominent outdoor spirit: Copper Brown door mirrors, alloy wheel rims and Glossy Black shark fin antenna. A unique style topped with distinctive elements featuring topographical patterns to better identify it. And with Extended Grip, which improves traction, get off the beaten track.



**Brand light**



**Extended Grip Button**

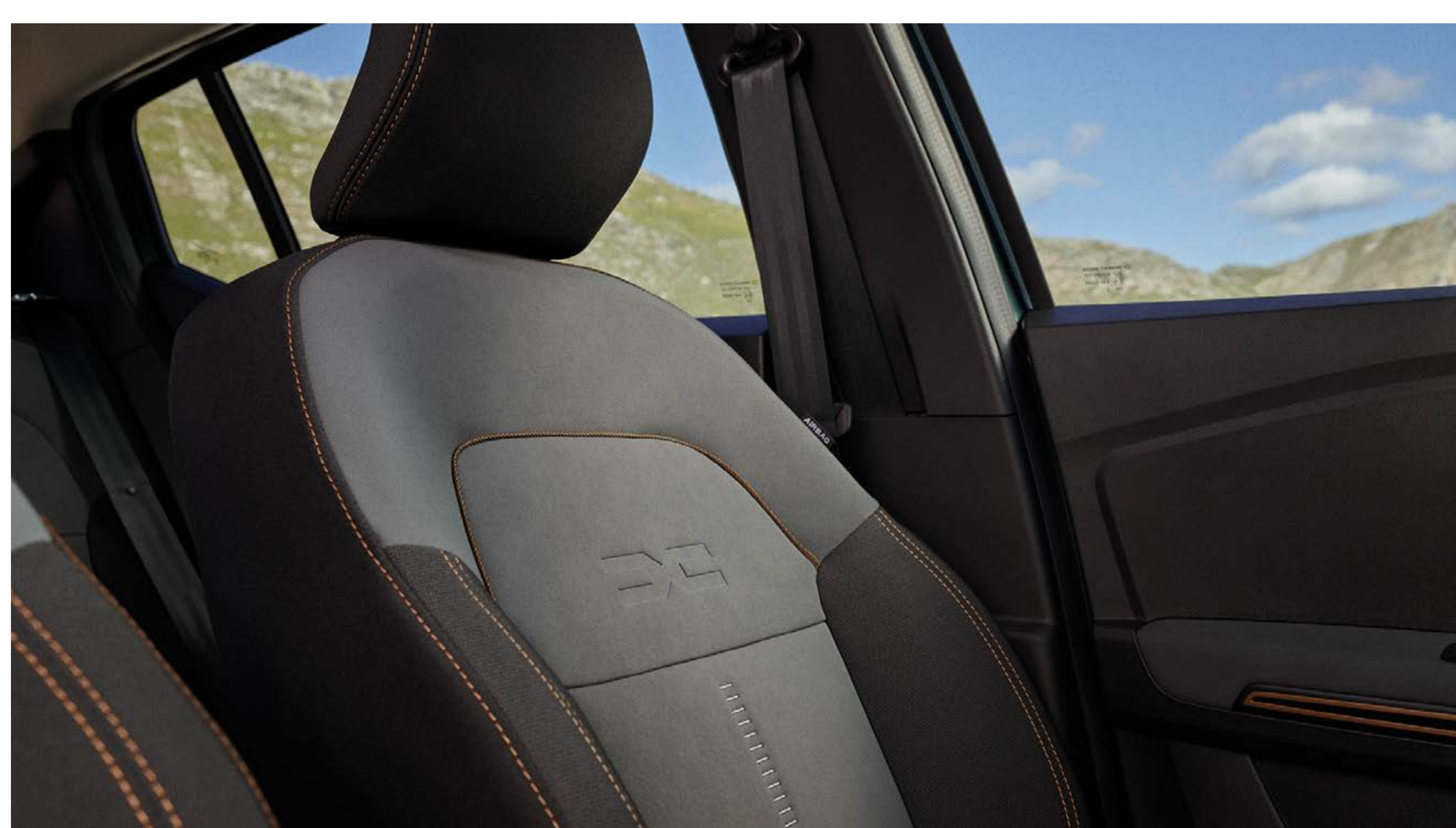




## WELL-DESIGNED COMFORT

All the technological features you need: climb aboard effortlessly thanks to keyless entry and discover the style of the new passenger compartment. In the Extreme finish, the interior features new, easy to clean, mixed TEP MicroCloud fabric upholstery, with a soft-touch velvet appearance also present on the instrument panel and armrests. The Copper Brown touches and topographic lines recalled on the rubber floor mats complement the vehicle's unmistakable outdoor spirit.

In terms of equipment, enjoy the height- and depth-adjustable seats and steering wheel, the electric parking brake and a closed storage space in the armrest: practicality and comfort combined. Connect your smartphone and use your preferred applications on the 8-inch touch screen. The controls, all placed within easy reach, provide maximum ease of access to all functions.



**Specific upholstery**



**8-inch touch screen with Medianav**



**Electric parking brake**

[BUILD YOURS](#)

[MENU](#)



# VERSATILE CROSSOVER

Dacia Sandero Stepway rises to the challenge of real life: thanks to its large extendible boot, switch from city life to adventure in a flash. And you still benefit from the latest devices that allow you to drive with complete peace of mind.



\*Sunroof not available in the UK



# THE SPACE YOU NEED TO FIT ALL YOUR WISHES

Fold down the seats with a single touch, adjust the loading capacity as required and live life to the full.



\*Sunroof not available in the UK

Thanks to an ingenious system, effortlessly convert your roof bars into transverse roof bars to fit a roof compartment, a bicycle rack or a ski rack. Ready to take on the world? Let's Go!

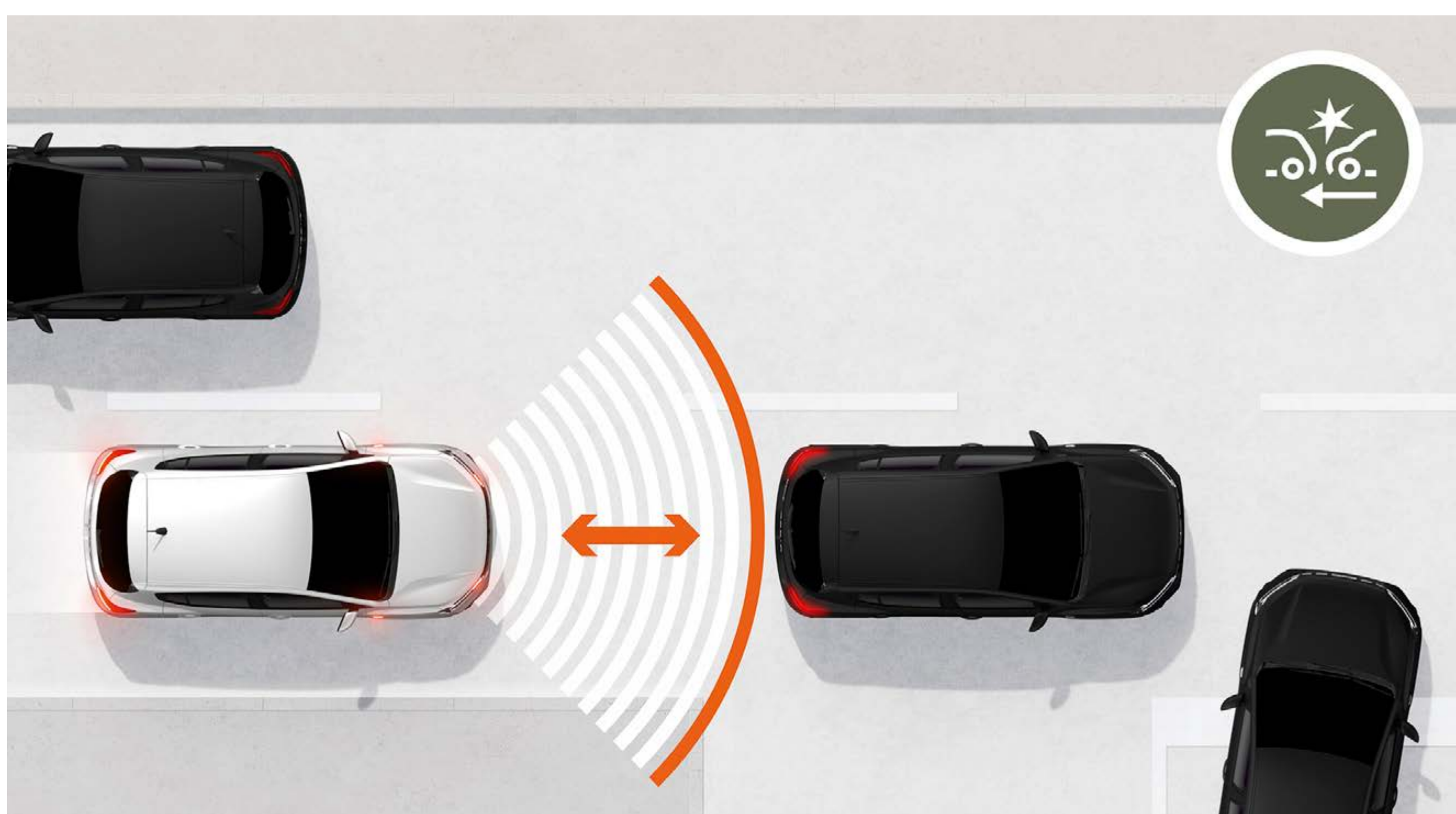


**Modular roof bars**



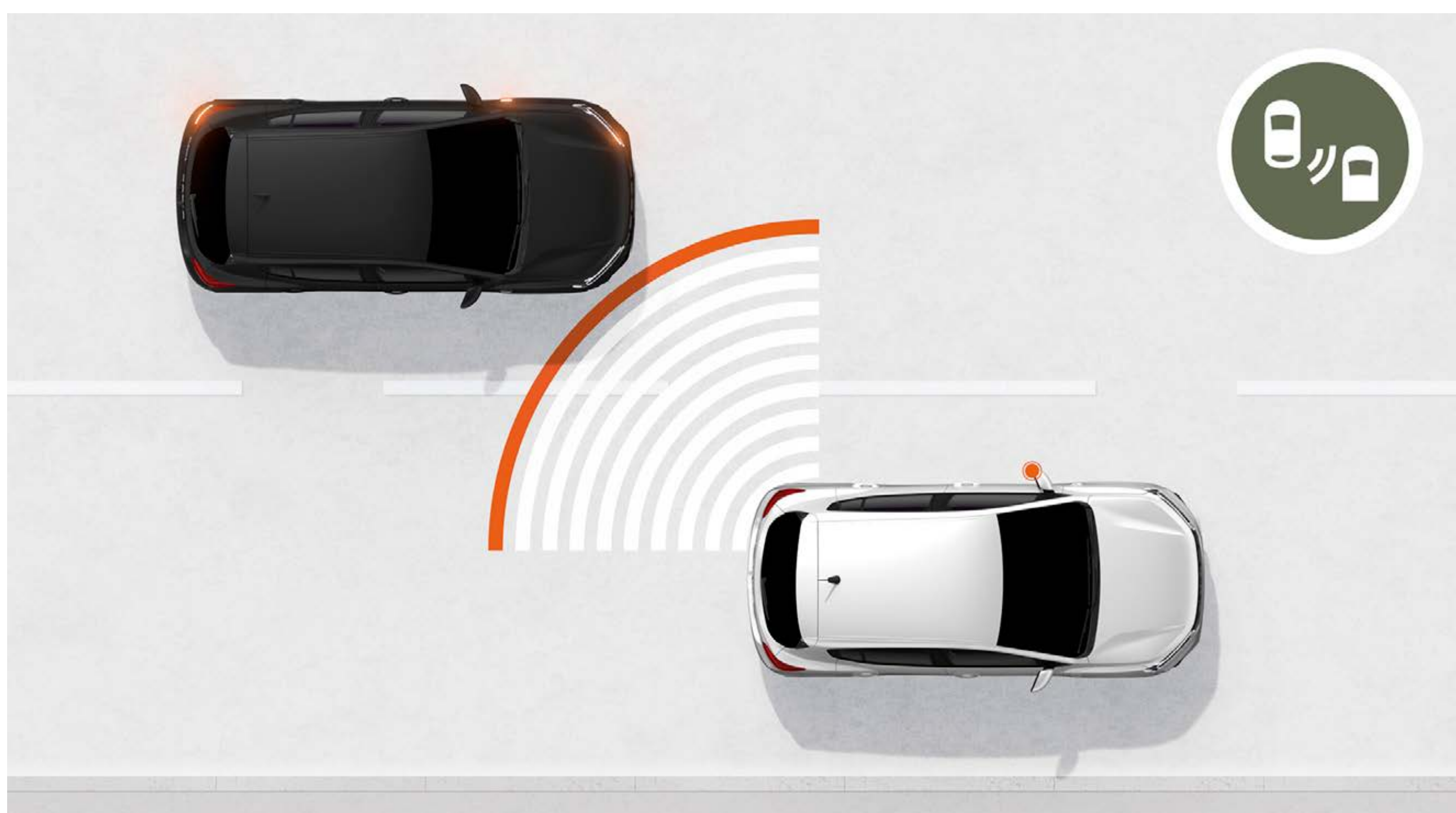
# SAFE EVERY STEP OF THE WAY

For Dacia, nothing is more important than constantly improving the safety of our vehicles, and most of all, that of the passengers. What with automatic emergency braking, hill start assist, six airbags (standard) and blind spot sensor, you can relax. Sandero Stepway provide everything you need for worry-free driving.



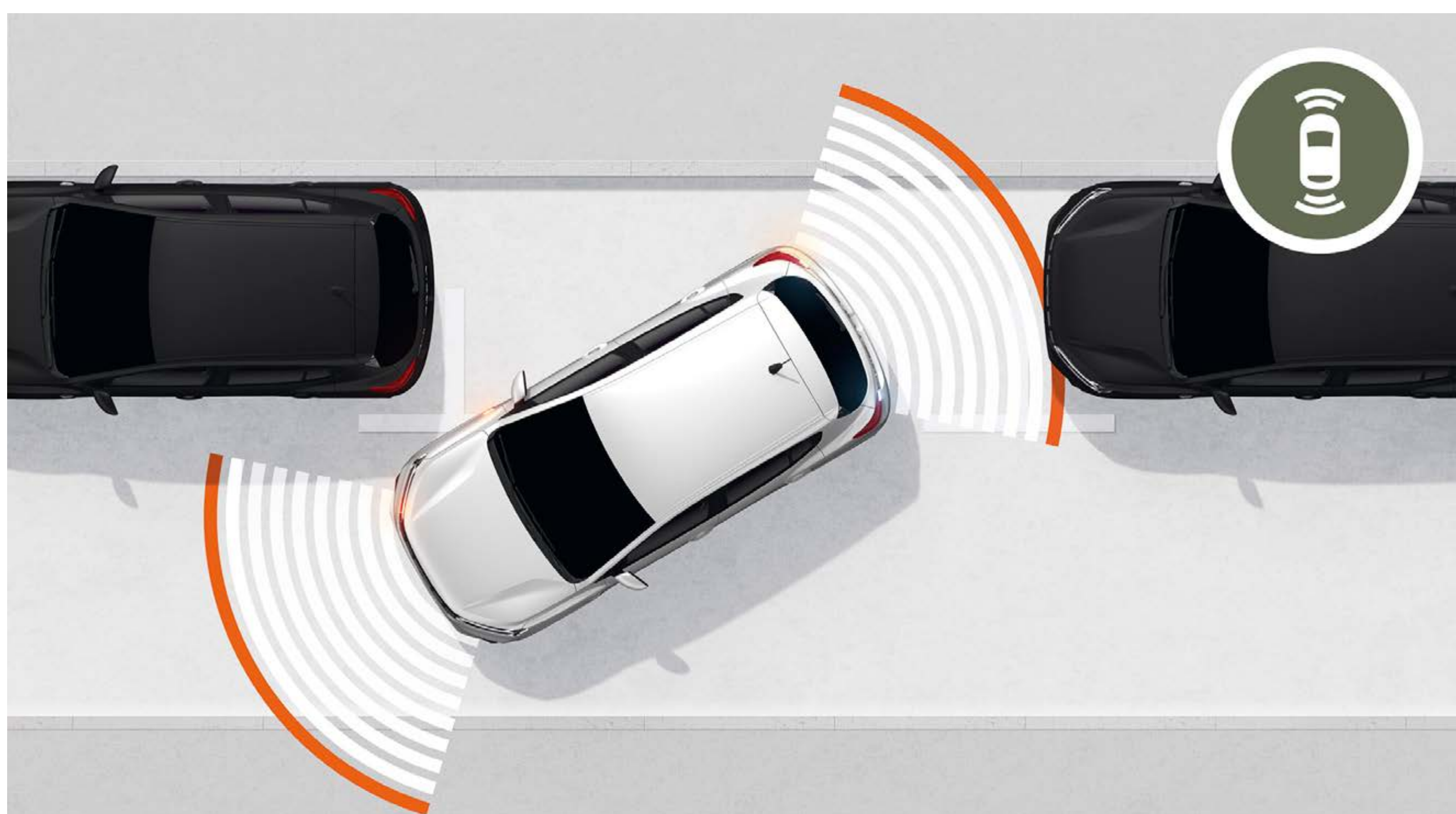
## AUTOMATIC EMERGENCY BRAKING

Sometimes, concentrating and being reactive is not enough. You can rely on Sandero Stepway to avoid or mitigate minor accidents. Automatic emergency braking detects collision hazards. If you don't react or if you don't react quickly enough, your system triggers and optimises braking.



## BLIND SPOT WARNING

It's difficult to see everything when you change lanes. Equipped with side, front and rear sensors, your Sandero Stepway warns you in the event of a risk of collision with another vehicle from the side or rear.



## FRONT/REAR PARKING SENSORS AND REAR-VIEW CAMERA

In the city, all parking spaces are worth taking, even the narrowest ones. You will be won over from the first manoeuvre by the sensing device that warns you with an audible and visual signal as soon as an obstacle is detected at the front or rear of the vehicle.



## HILL START ASSIST

No need to stress when you start on a slope! This function immediately prevents the vehicle from moving backwards when you release the brake pedal. You no longer have to grab the parking brake to help you; manoeuvring your vehicle is as easy as ABC.

[BUILD YOURS](#)

[MENU](#)



# DISCOVER THE EQUIPMENT

COLOUR PALETTE



HUBCAPS & WHEELS



AMBIANCES



ACCESSORIES



ENGINES



EQUIPMENT & OPTIONS



PRICING



SERVICING







DIMENSIONS





# COLOUR PALETTE

 DUSTY KHAKI	 GLACIER WHITE	 PEARL BLACK	 MOONSTONE GREY	 IRON BLUE
---	--	--	---	---

 DESERT ORANGE	 CEDAR GREEN
---	--



DUSTY KHAKI<sup>(3)</sup>



GLACIER WHITE<sup>(1)</sup>



PEARL BLACK<sup>(2)</sup>



MOONSTONE GREY<sup>(2)</sup>



IRON BLUE<sup>(2)</sup>



DESERT ORANGE<sup>(2)\*</sup>



CEDAR GREEN<sup>(2)</sup>

(1) Solid paint. (2) Metallic paint. (3) Special paint.  
\*Not available on Extreme.  
Photos not contractually binding.



# HUBCAPS & WHEELS



**16" FLEX WHEELS SARIA**



**16" ALLOY WHEELS BLACK MAHALIA**



# AMBIANCES

## ESSENTIAL



## MAIN EQUIPMENT

### EXTERIOR PRESENTATION

- New glossy black grille integrating the Dacia logo and white decorative inserts
- LED signature lighting
- Automatic LED daytime running lights
- Flexwheel 16" Saria wheel trims
- Body-coloured front and rear bumpers
- Megalith Grey front and rear skid plates
- Black exterior door handles
- Black exterior mirrors
- Modular longitudinal roof bars

### INTERIOR PRESENTATION

- Copper brown air vent surrounds
- Black interior door handles
- Rear bench seat with 1/3-2/3 folding and split function
- Specific Stepway upholstery with copper-coloured inserts and stitching

### ACTIVE AND PASSIVE SAFETY

- ABS (Anti-lock Braking System) & AFU (Emergency Brake Assist)
- Inter-urban Automatic Emergency Braking System (AEBS)
- ESP (Electronic Stability Program) + HSA (Hill Start Assist)
- Emergency call (E-call)
- Driver frontal airbag / deactivatable passenger frontal airbag
- Front thorax and head curtain airbags (front + rear)
- Front and rear lateral seat belts with pre-tensioner and load limiter
- Tire pressure monitoring system
- Inflation kit
- Isofix child seat mounting system on rear outer seats
- 180 kmh / 112 mph Speed Limiter

### DRIVING AND CONTROL DEVICES

- Electric power-assisted steering
- Stop & Start, ECO mode
- On-board computer: distance travelled, average speed, range, average consumption (including GPL)
- Speed limiter and cruise control
- Height-adjustable steering wheel

### VISIBILITY

- Door mirrors with interior manual adjustment

### COMFORT

- Manual air conditioning
- Electric door locking with radio frequency remote control
- Automatic door locking when driving
- Electric front windows for driver and passenger
- Front ceiling light
- 1 USB socket at the front
- 1 12 V socket at the front

### AUDIO

- Media Control: DAB radio with steering wheel controls, integrated display in the on-board computer screen, fixed smartphone holder on the dashboard, 4 front speakers, Bluetooth® connectivity, Dacia Media Control mobile application

### OPTIONS

- Metallic or special paint
- Spare wheel (not available on TCe100 Bi-Fuel versions)



## EXPRESSION



### MAIN EQUIPMENT

**EXPRESSION STEPWAY = ESSENTIAL STEPWAY +**

#### EXTERIOR PRESENTATION

- White Stepway inscription on grille
- Body-colored exterior door handles
- Body-colored mirrors

#### INTERIOR PRESENTATION

- Fog Grey colored air vent surrounds with Copper Brown center and white sliders
- Steel Grey interior door handles
- Fog Grey interior decorative elements
- Fabric lining on dashboard and front door armrests
- Split-fold rear bench seat backrest with 1/3-2/3 configuration
- Soft feel steering wheel adjustable for height and depth

#### VISIBILITY

- Fog lights
- Electrically adjustable and heated exterior mirrors

#### COMFORT

- Automatic windshield wipers
- 4 electric windows, with driver's side one-touch control
- Keyless entry
- Rear parking sensors and reversing camera

#### AUDIO

- Media Display with Android Auto™ and Apple CarPlay™ compatibility with smartphone replication via wifi or USB cable (DAB radio with 8" touchscreen and 4 speakers)

#### OPTIONS

- Metallic or special paint
- Spare wheel (not available on TCe100 Bi-Fuel versions)



## EXTREME



### MAIN EQUIPMENT

**EXTREME STEPWAY = EXPRESSION STEPWAY +**

#### EXTERIOR PRESENTATION

- Specific outdoor design with bottom door protections and side stickers with topographic patterns
- Copper Brown finish: exterior mirrors, «Stepway» inscription on roof bars, decorative trim on fog lights
- 16" black Mahalia Black aluminum wheels with Copper Brown Dacia logo
- Shark fin antenna in Glossy Black.

#### INTERIOR PRESENTATION

- EXTREME specific upholstery with washable TEP MicroCloud fabric, with Copper-Brown stitching and embossed Dacia logo
- Copper-Brown decoration: decorative strips on the door panels
- Washable TEP MicroCloud fabric on the dashboard and front door armrests
- Rubber floor mats front and rear with topographic patterns
- Door sill with topographic patterns

#### DRIVING AND CONTROL DEVICES

- Extended Grip function
- Front and Rear parking sensors + reversing camera
- Blind spot warning

#### COMFORT

- Automatic air conditioning
- Double-level trunk floor
- Electric parking brake and high central armrest with storage

#### AUDIO

- 8" Media Nav, Bluetooth, smartphone replication, steering wheel controls, DAB

#### OPTIONS

- Metallic or special paint
- Spare wheel (not available on TCe100 Bi-Fuel versions)



# ACCESSORY PACKS

## STYLE PACK (ESSENTIAL & EXPRESSION)

£375 inc. fitting



Roof spoiler



Shark fin aerial



Illuminated door sills

## PROTECTION PACK (ESSENTIAL)

£285 inc. fitting



Front & rear lower door protectors



Front & rear mud guards



Boot mat

Available for Expression & Extreme versions:

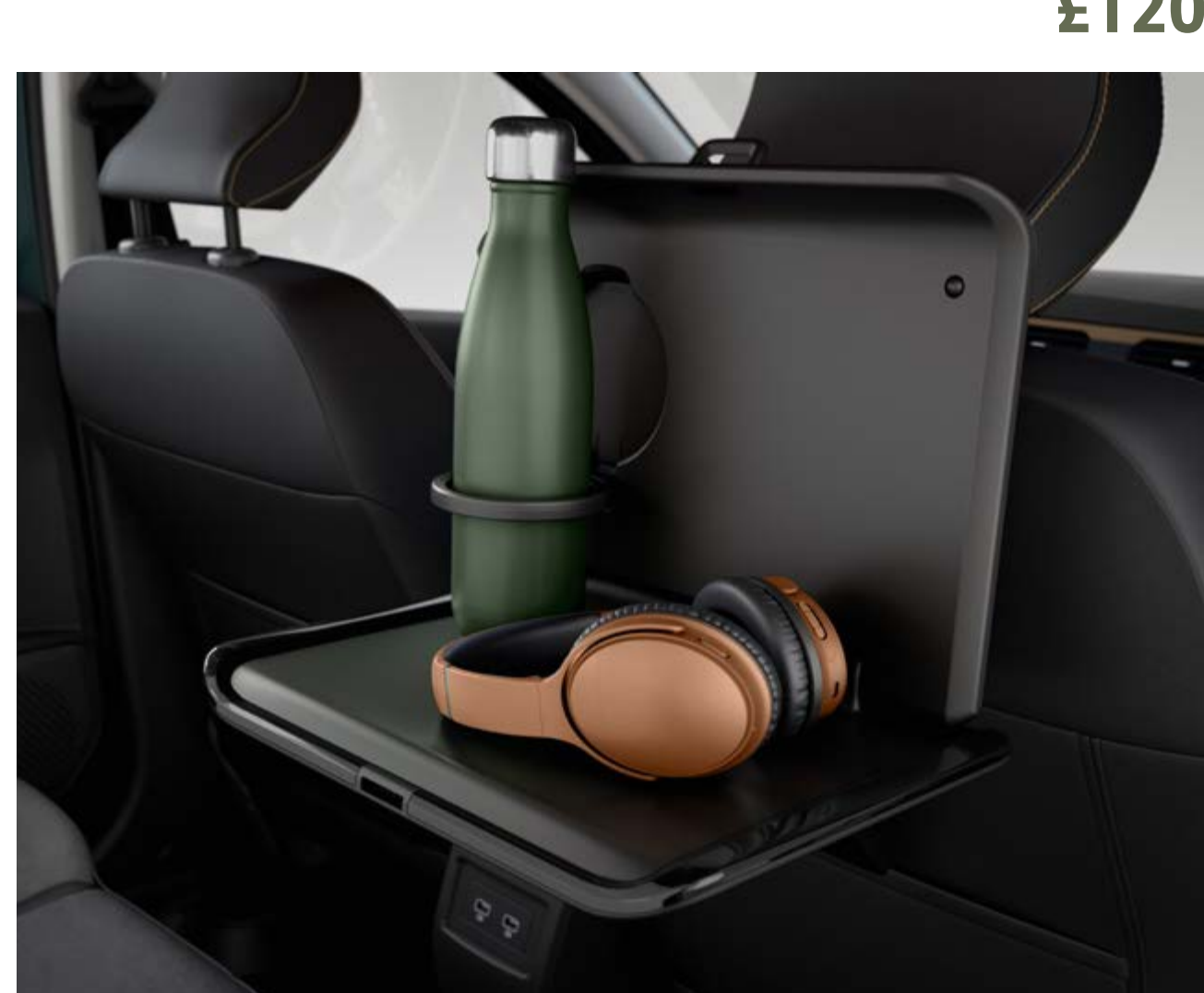
Mud guards & boot mat £160 inc. fitting

## STORAGE PACK

£120



Magnetic phone holder



Rear tray table & fixings

Storage pack + available with 2 x rear tray tables & fixings £222

## TOURING PACK

£449



Roof bars



Roof box 400L

## DASH CAM PACK

£422 inc. fitting



KENWOOD front dash cam



KENWOOD rear cam

## CYCLE PACK

£410



Roof bars



2 x bike carriers for roof

## TOW BARS



Swan neck towbar 13 pin

Removable towbar 13 pin

£579 inc. fitting

£645 inc. fitting

## PREMIUM DELIVERY PACKS



Premium mats



Safety kit



Textile boot mat

## PREMIUM DELIVERY PACK

£95

Premium mats

Safety kit

## PREMIUM DELIVERY PACK+

£160

Premium mats

Safety kit

Textile boot mat

All accessories purchased prior to vehicle registration come with a 3 year manufacturers warranty  
Accessories are fitted post production and may have an impact on WLTP fuel (actual) consumption and CO<sub>2</sub> figures

[DOWNLOAD THE ACCESSORIES BROCHURE](#)



# ENGINES

	TCe 90	TCe 90 CVT	TCe 100 Bi-fuel
<b>SANDERO STEPWAY ENGINES</b>			
Fiscal rating (CV) (France)	5	5	5
Fuel	Unleaded fuel (E10)	Unleaded fuel (E10)	Unleaded fuel (E10)/LPG
Max. power kW CEE (hp) at an engine speed of (rpm)	67 at 4,600-5,000	67 at 4,500-5,000	LPG mode: 74 at 4,600-5,000 Petrol Mode: 67 at 4,800-5,000
Max. torque Nm CEE (m.kg) at an engine speed of (rpm)	160 at 2,100-3,750	142 at 1,750-3,750	LPG mode: 170 at 2,000-3,500 Petrol Mode: 160 at 2,100-3,750
Gearbox type	Manual 6-speed	Auto-CVT	Manual 6-speed
Type of Injection	Turbo indirect injection		
Capacity (cc)	999		
Number of cylinders/valves	3/12		
Emission control standard	Euro 6 DFull		

## CHASSIS AND STEERING

Tyre dimensions	205/60 R16 92H
Steering - Turning circle, kerb to kerb (m)	10,39
Front suspension	Pseudo McPherson with lower wishbone, spiral spring suspension with telescopic hydraulic shock absorbers and anti-roll bar
Rear suspension	Semi-rigid axle with anti-roll bar spring suspension and telescopic hydraulic shock absorbers

## PERFORMANCE

			LPG	Petrol
Maximum speed (mph)	107	101	108	107
0-62 mph (s)	12	14,2	11,9	
Mid-range acceleration: 50 mph - 75 mph (s)	in 4 <sup>th</sup> 5 <sup>th</sup> 6 <sup>th</sup>	10,3 14,6 22,6	10,0 13,9 20,6	10,2 14,4 21,9

## FUEL CONSUMPTION AND EMISSIONS<sup>(1)</sup>

Approval protocol	WLTP <sup>(2)</sup>			
Fuel tank capacity (l)	50	50	Petrol: 50 LPG : 40	
			LPG	Petrol
CO <sub>2</sub> (g/km) Emissions Best Case - Worst Case	120/121	131/140	108/109	122/122
Fuel consumption during combined cycle (mpg) Best Case - Worst Case	44/44	41/38	35/35	44/44

## VOLUMES AND WEIGHTS

	Essential	Expression/ Extreme	Expression/Extreme	Essential	Expression/ Extreme
Minimum kerb weight	1,077	1,096	1,122	1,134	1,154
Maximum kerb weight	1,119	1,136	1,159	1,160	1,176
Gross train weight (GTW)	2,661	2,678	2,701	2,702	2,718
Maximum permissible laden weight (MPLW)	1,561	1,578	1,601	1,602	1,618
Max. braked towing weight	1,100	1,100	1,100	1,100	1,100

(1) Official consumption and emissions according to applicable regulations. (2) WLTP (Worldwide Harmonized Light Vehicle Test Procedures): this new protocol provides results much closer to those found in daily use compared to the NEDC protocol. \*Fuel consumption and CO<sub>2</sub> emissions are certified using a standard, regulated method. It is identical for all manufacturers and allows vehicles to be compared.

[BUILD YOURS](#)

[MENU](#)



# EQUIPMENTS & OPTIONS

	ESSENTIAL	EXPRESSION	EXTREME
<b>EXTERNAL APPEARANCE</b>			
LED brand light	•	•	•
LED automatic daytime running lights	•	•	•
Grille	Black	Black	Black
Grille with «Stepway» inscription	White	White	White
Dacia rear lettering	White	White	Copper Brown
Front/rear bumpers	Body-coloured	Body-coloured	Body-coloured
Megalith Grey front/rear skid plates	•	•	•
Side protection stickers/snorkel-type sticker	-	•/-	Specific Extreme design
Exterior door handles	Black	Body-coloured	Body-coloured
Door mirrors	Black	Body-coloured	Copper Brown
Longitudinal roof bars	•	-	-
Modular longitudinal roof bars (Megalith Grey)	-	•	•
16" aluminium wheels	-	-	•
<b>INTERIOR APPEARANCE</b>			
Centre of air vents	Copper Brown and white sliders	Copper Brown and white sliders	Copper Brown and white sliders
Air vent surrounds	Black	Fog Grey	Fog Grey
Interior door handles	Black	Steel Grey	Steel Grey
Upholstery on the dashboard and front door armrests/trim on the front door panels	-/-	Fabric/-	MicroCloud plastic-coated fabric/Copper Brown
1/3- 2/3 split-fold rear bench seatback	•	•	•
Soft feel steering wheel	-	•	•
<b>ACTIVE AND PASSIVE SAFETY</b>			
ABS (Anti-lock Braking System) and EBA (Emergency Brake Assist)	•	•	•
Intercity Automatic Emergency Braking (AEBS)	•	•	•
ESP (Electronic Stability Program) + HSA (Hill Start Assist)	•	•	•
Emergency call (E-call)	•	•	•
Driver's front airbag/passenger's front airbag can be deactivated	•/•	•/•	•/•
Shoulder and curtain side airbags	•	•	•
Rear parking sensors	•	•	•
Rear camera	-	•	•
Front and rear parking sensors	-	-	•
Blind spot warning	-	-	•
Electric parking brake and high central armrest with storage	-	-	•
Tyre pressure detection	•	•	•
Spare wheel + jack (except LPG)	○	○	○
Tyre inflation kit	•	•	•
Isofix child seat mounting system on rear side seats	•	•	•
180 kmh / 112 mph speed limiter	•	•	•

-: not available; •: available as standard; ○: available as an option.  
 Android Auto™ is a Google Inc. brand. Apple CarPlay™ is an Apple Inc. brand.



# EQUIPMENT & OPTIONS (CONTINUE)

ESSENTIAL      EXPRESSION      EXTREME

## DRIVING AND CONTROL INSTRUMENTS

Electrical power-assisted steering	•	•	•
Stop & Start	•	•	•
On-board computer: distance travelled, average speed, range, average consumption (including for LPG)	•	•	•
Cruise control/Speed limiter with audible warning	•/•	•/•	•/•
Extended Grip function	-	-	•

## VISIBILITY

Front fog lights	-	•	•
Door mirrors with interior manual adjustment	•	-	-
Electrically adjustable door mirrors	-	•	•

## COMFORT

Manual heating and air conditioning system	•	•	-
Automatic heating and air conditioning system	-	-	•
Automatic windscreen wipers	-	•	•
Electric door locking with radio frequency remote control	•	•	•
Automatic locking of doors when in motion	•	•	•
Keyless entry	-	•	•
Front electric driver and passenger windows	•	•	•
One-touch driver-seat window control (with anti-trapping function), non one-touch passenger side	-	•	•
Electric rear windows	-	•	•
Height- and reach-adjustable steering wheel	•/-	•/•	•/•
Front ceiling light	•	•	•
1 USB socket in the front	•	•	•
1 x 12V socket in the front	•	•	•
Heated front seats	-	-	•
Modular boot with twin-level floor	-	-	•

## AUDIO

Media Control: DAB radio with controls on the steering wheel, integrated display on the on-board computer screen, smartphone holder fixed on the dashboard, 2 front speakers, Bluetooth® connection, Dacia Media Control mobile application	•	-	-
Media Display: Android Auto™ and Apple CarPlay™ compatibility with smartphone replication via USB cable (DAB radio with 8" touch screen and 4 speakers)	-	•	-
Removable phone holder	-	•	•
Media NAV: navigation with MAP CARE (Western or Eastern Europe map + 6 free updates for 3 years), DAB radio, smartphone replication via USB cable, Bluetooth® connection, 6 speakers (4 speakers + 2 tweeters), 8" touch screen, 1 additional USB at the bottom of the central console	-	-	•

-: not available; •: available as standard; o: available as an option.  
 Android Auto™ is a Google Inc. brand. Apple CarPlay™ is an Apple Inc. brand.

[BUILD YOURS](#)

[MENU](#)



# PRICING

	CO <sub>2</sub> G/KM WLTP	FUEL TYPE	COMBINED FUEL CONSUMPTION (MPG) - WLTP	BHP	BENEFIT IN KIND	VED YEAR 1	BASIC PRICE	VAT 20%	TOTAL RETAIL PRICE	ON THE ROAD PRICE*
<b>ESSENTIAL</b>										
TCe 90 MY23	127	Petrol	50.4 (5.6)	90	30%	£210	£12,029.17	£2,405.83	£14,435.00	£15,295
TCe 100 Bi-Fuel MY23	131/115	Petrol/LPG	48.7 (5.8)-38.1(7.4)	100	31%	£245	£12,000.00	£2,400.00	£14,400.00	£15,295
<b>EXPRESSION</b>										
TCe 90 MY23	127	Petrol	50.4 (5.6)	90	30%	£210	£12,862.50	£2,572.50	£15,435.00	£16,295
TCe 100 Bi-Fuel MY23	131/115	Petrol/LPG	48.7 (5.8)-38.1(7.4)	100	31%	£245	£12,833.33	£2,566.67	£15,400.00	£16,295
<b>EXTREME</b>										
TCe 90 MY23.5	127	Petrol	50.4 (5.6)	90	30%	£210	£13,987.50	£2,797.50	£16,785.00	£17,645
TCe 90 Auto MY23.5	140	Petrol	45.6 (6.2)	90	33%	£255	£15,200.00	£3,040.00	£18,240.00	£19,145
TCe 100 Bi-Fuel MY23.5	131/115	Petrol/LPG	48.7 (5.8)-38.1(7.4)	100	31%	£245	£13,958.33	£2,791.67	£16,750.00	£17,645

\* "On the Road" price includes delivery to the dealer premises, number plates, 12 months government road fund license (depending on CO<sub>2</sub> emissions) and First Registration Fee at £55.

# OPTIONS

	ESSENTIAL	EXPRESSION	EXTREME	BASIC PRICE	VAT 20%	TOTAL RETAIL PRICE
Metallic & opaque paint	<input type="radio"/>	<input type="radio"/>	<input type="radio"/>	£541.67	£108.33	£650
Spare Wheel (excluding Bi-Fuel)	<input type="radio"/>	<input type="radio"/>	<input type="radio"/>	£250.00	£50.00	£300



# WE'VE GOT YOU COVERED

You might think our shockingly affordable prices mean our cars aren't made to last. Actually, the Dacia range is one tough cookie. To prove it, you get a 3-year\* warranty (or 60,000 miles, if you reach that first). This means we will replace any part which has been deemed by a Dacia approved dealer to be defective due to a manufacturing fault, free of charge. To keep the good times rolling, you can extend your warranty up to 7 years for a great price. We also give you a 2-year paintwork and 6-year anti-corrosion warranty, so you can kick back knowing that your Dacia will stay looking good-as-new for years to come.

## ROADSIDE ASSISTANCE

Although our cars are built for plain sailing, you can rely on us if you have a breakdown – 24/7 365, wherever you are in the UK or Northern Ireland. This offer also stands for the first 3 years/60,000 miles $\Delta$  after you buy your new Dacia.

## DACIA CAR INSURANCE 1

Dacia Insurance has been specifically created to provide superb protection for you and your car. Unlike most other UK insurers, in the event of an accident, your Dacia will be repaired at a Dacia Approved Bodyshop using only Dacia approved parts and approved repair methods. This maintains your Dacia's safety rating, protects its resale value and helps to maintain its Dacia warranty $\wedge$ . Dacia Insurance also offers a courtesy car for the duration of a repair at a Dacia Approved Bodyshop.

**Dacia car insurance: 0330 102 7795 [www.daciacarinsurance.co.uk](http://www.daciacarinsurance.co.uk)**

Lines are open Mon - Thurs 8.30am - 7pm, Fri 9am - 6pm, Sat 9am - 5pm

## SERVICING

Dacia Service Plans are the ultimate hassle free way to take care of your vehicle. Depending on the Service plan you purchase (see opposite grid) your servicing needs are covered and you benefit from;

- Inflation Proof Servicing – You know exactly what you'll pay and there are no hidden costs
- Peace of Mind – No matter where life takes you, we'll be there in over 5000 workshops across Europe
- Dacia Expertise & Quality – Our highly trained technicians know your Dacia inside out

The Dacia Service Plan contains Dacia services in-line with the manufacturer's service schedule, plus comes with a complimentary vehicle health check to ensure your Dacia is in the best condition possible.

SERVICE PLAN $\wedge$	Monthly payments with Dacia Finance**	Stand alone Contract
3 years / 30,000 miles Service Plan	£14.99 per month	£16.00
3 years / 48,000 miles Service Plan	£25.99 per month	£27.00
4 years / 48,000 miles Service Plan + 1 MOT	£21.99 per month	£22.00

EXTENDED WARRANTY	Total Retail Price
4 years / 60,000 miles $\dagger$	£165
5 years / 60,000 miles $\dagger$	£275
6 years / 60,000 miles $\dagger$	£415
4 years / 100,000 miles $\dagger$	£490
5 years / 100,000 miles $\dagger$	£565
6 years / 100,000 miles $\dagger$	£715

Dacia Extended warranty ends when you reach the age or mileage limit (whichever comes first). For full Warranty Terms and Conditions visit [www.dacia.co.uk/warranty-and-assistance/assistance](http://www.dacia.co.uk/warranty-and-assistance/assistance)

## SERVICE INTERVALS $\diamond$

Annual servicing **OR** servicing at 18,000 miles (whichever comes first)

Service Schedule $\diamond$	Year 1	Year 2	Year 3	Year 4	Year 5	Year 6
	Cabin filter change	Oil change + Cabin filter change	Cabin filter change + Brake fluid change	Oil change + Cabin filter change + Brake fluid change	Cabin filter change + Coolant 150km change	Cabin filter change + Belts 150km change

\*Dacia warranty ends when you reach the age or mileage limit (whichever comes first), from date of registration. Subject to status, terms and conditions apply. For full Dacia Extended Warranty Terms and Conditions visit [www.dacia.co.uk/warranty-and-assistance/warranty](http://www.dacia.co.uk/warranty-and-assistance/warranty)

$\Delta$ Roadside assistance for the first 3 year / 60,000 miles, which ever is reached first, from date of registration. For full Terms and Conditions visit [www.dacia.co.uk/warranty-and-assistance/assistance](http://www.dacia.co.uk/warranty-and-assistance/assistance)

$\dagger$  Dacia Extended warranties are available to purchase from first date of registration up to end of manufacturer warranty. For full Dacia Extended Warranty Terms and Conditions visit [www.dacia.co.uk/warranty-and-assistance/warranty](http://www.dacia.co.uk/warranty-and-assistance/warranty)

The monthly service plan offer is available at point of signing an agreement for vehicle purchased under HP and PCP finance agreement provided by Dacia Finance Ltd. (Not available on cash purchases).

$\wedge$  The Service plan offer is available for eligible retail vehicles only and valid at participating dealers only. Vehicles must be ordered between 2 January to 4 April and registered by 30 June 2024. The Dacia Service plan covers the manufacturer's minimum maintenance programme requirements for the term of the Service plan purchased (refer to the Warranty and Service sheet in the Handover Document wallet for details). The plan ends when you reach the age or mileage limit (whichever comes first). Services must be carried out in line with the manufacturer's minimum maintenance programme requirements and servicing intervals within +/- 1 month or 1,000 miles of the service interval and can only be carried out at a Dacia Approved outlet. Service plans do not cover wear and tear items such as (but not limited to) tyres, wiper blades or brakes. For Service plan full Terms & Conditions visit [www.dacia.co.uk/services-and-finance/service-plan](http://www.dacia.co.uk/services-and-finance/service-plan). Cannot be part exchanged, refunded or transferred.

$\diamond$  The service schedule and intervals are subject to the registration number. Ask your local dealer to confirm your service schedule / intervals as the above is a guideline.

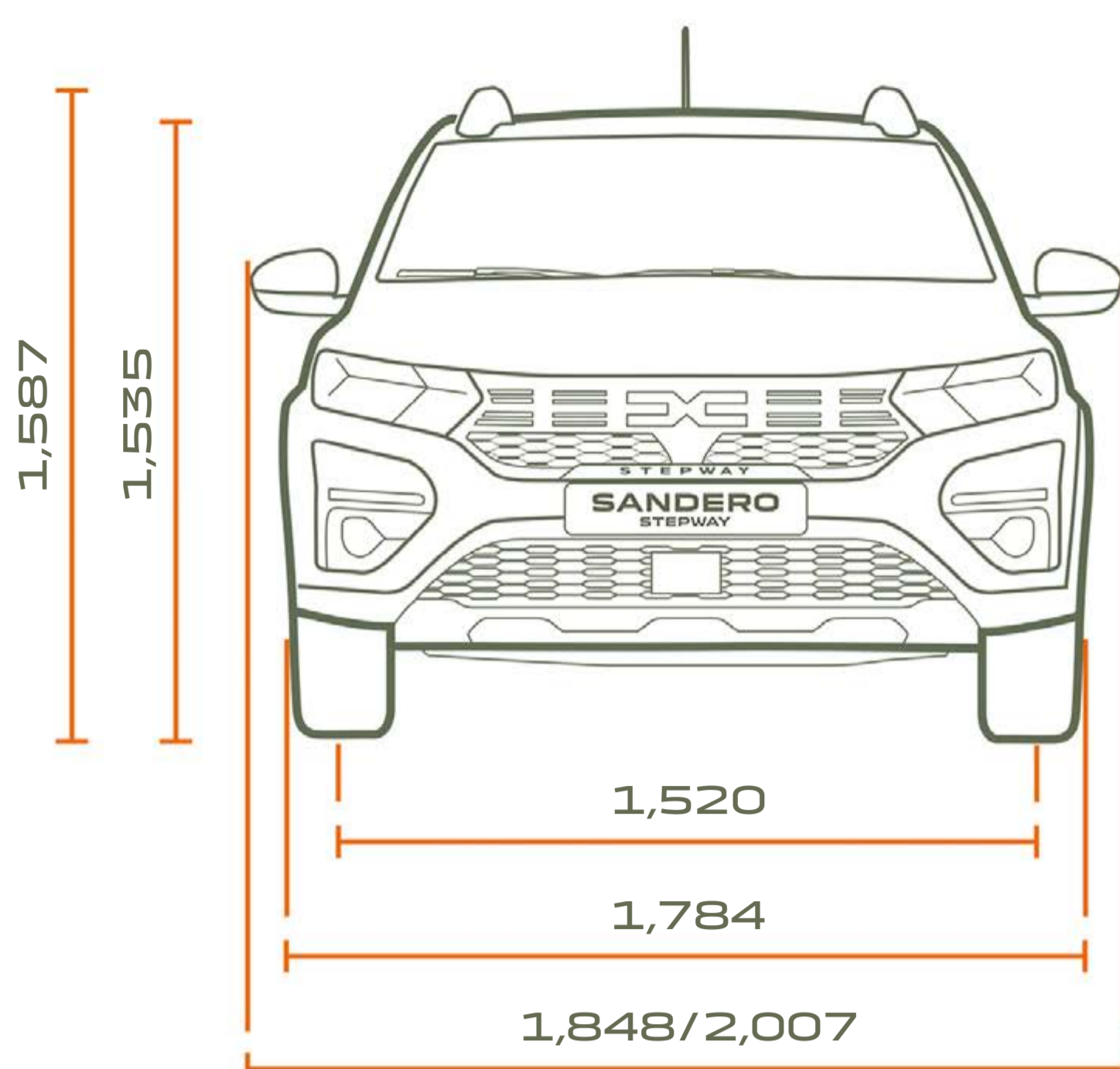
\*\*36 or 48 monthly payments options are only available at point of signing a finance agreement provided by Dacia Finance, Rivers Office Park, Denham Way, Rickmansworth, WD3 9YS. Guarantees and indemnities may be required. You must be a UK resident (excluding the Channel Islands) and over 18 to apply for finance. Terms and conditions apply.

1 Dacia Insurance is arranged and administered by Verex Insurance Services Ltd, which is registered in England and Wales No. 05686831 at Batchworth House, Church Street, Rickmansworth, Herts, WD3 1JE and authorised and regulated by the Financial Conduct Authority, No. 487185. Verex Insurance Services Ltd arranges policies from a panel of insurers, details are available on request.

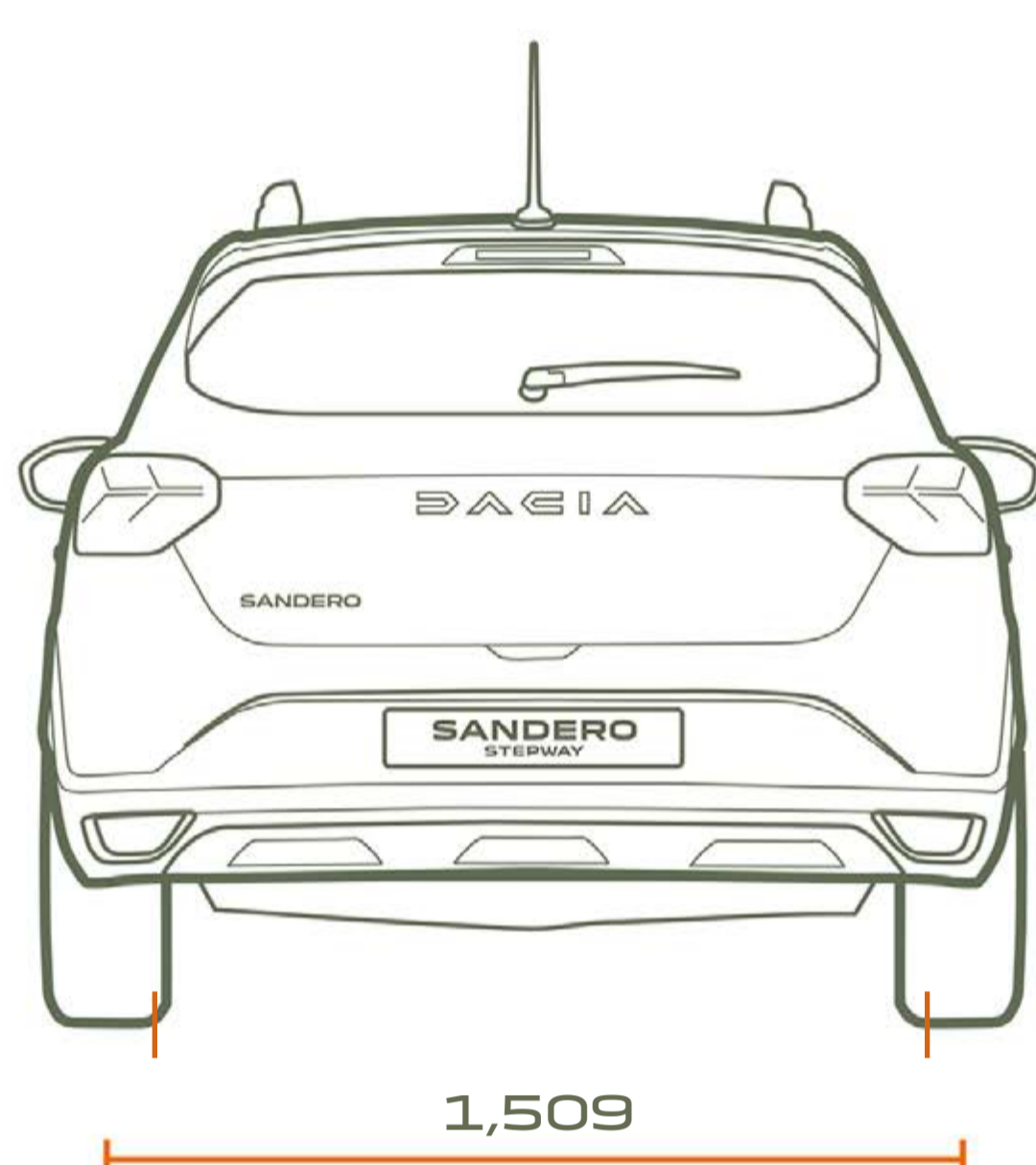
$\wedge$ If your insurer uses non-approved parts which subsequently fail, they may not be covered under your manufacturer's warranty.



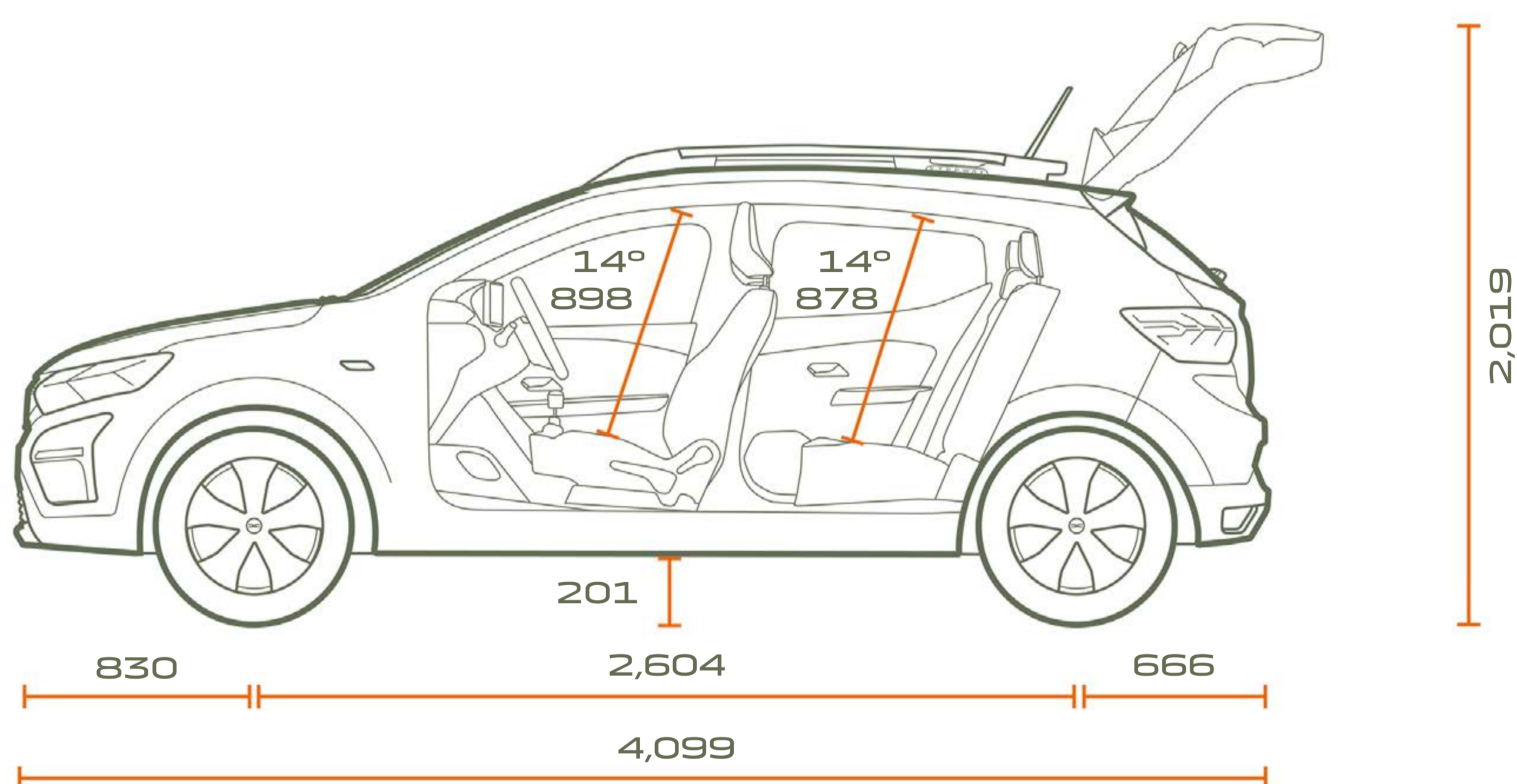
# DIMENSIONS



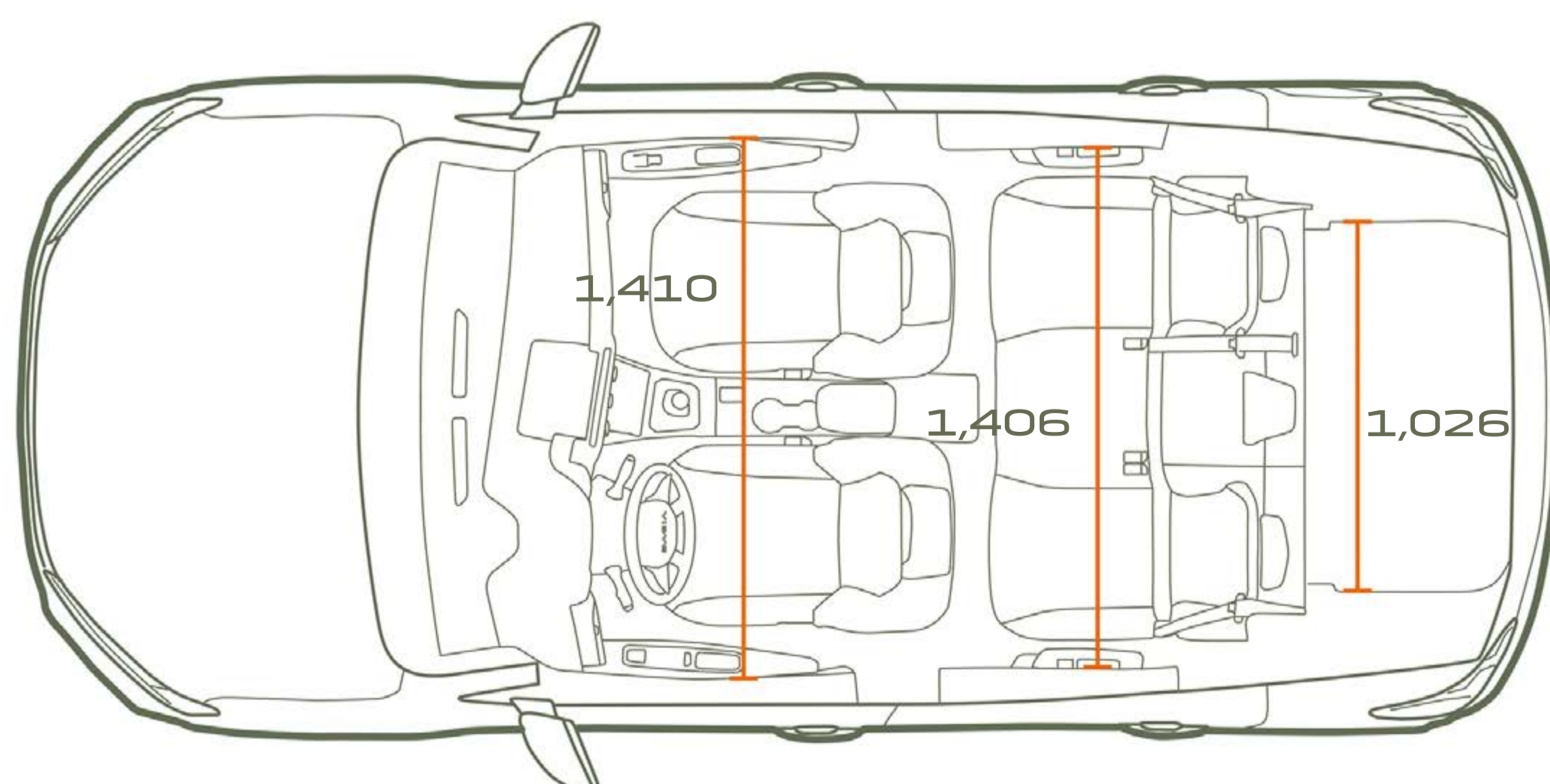
**FRONT VIEW**



**REAR VIEW**



**SIDE VIEW**



**TOP VIEW**

**BOOT VOLUME**  
(IN DM<sup>3</sup> - VDA STANDARD)

Minimum boot volume (ISO 3832)	328/410
Maximum boot volume (ISO 3832)	1,108/1,455
Volume under false floor (ISO 3832)	78



# AN INCREDIBLE SUCCESS STORY

At Dacia, we offer practical and robust vehicles at the best price. Our models have a distinctive style without unnecessary frills, equipped with the most reliable and approved technologies, all at an unbeatable price. In just fifteen years, we have changed the game and disrupted the automotive market.





# TO GO FURTHER

[CLICK AND BUILD YOURS](#)

[BOOK A TEST DRIVE](#)

[FIND YOUR DEALERSHIP](#)



Access the DACIA  
Facebook account



Access the DACIA  
Twitter account



Access the DACIA  
Instagram account

The contents of this brochure were accurate and up-to-date at the time of publication. This document was produced based on pre-series or prototype vehicles. As part of its policy of continuous product improvement, Dacia reserves the right, at any time, to make changes to the specifications and vehicles and accessories described and illustrated. These modifications are notified to Dacia dealers as soon as possible. Depending on the country of sale, versions may differ, and some equipment may not be available (as standard, optional, or accessory). Please consult your Dacia representative for the most up-to-date information. Due to the limitations of printing, the colors shown in this document may slightly differ from the actual paint colors or interior trim materials. All rights reserved. Reproduction, in whole or in part, of this brochure in any form or by any means is prohibited without the prior written authorization of Dacia.

Dacia recommends 

PUBLICIS – PHOTO CREDITS : BAM ; A. BERNIER ; GETTY IMAGES ; MCMURPHY ; Shutterstock ; © RENAULT MARKETING 3D-COMMERCE – JANUARY 2024